

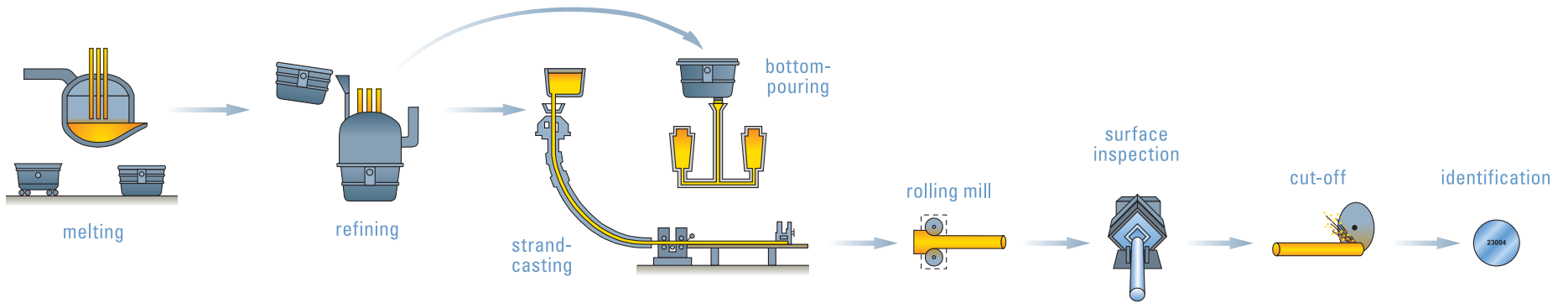
# From Melt to Finish

Timken has the expertise to tailor every production heat to customer specification.

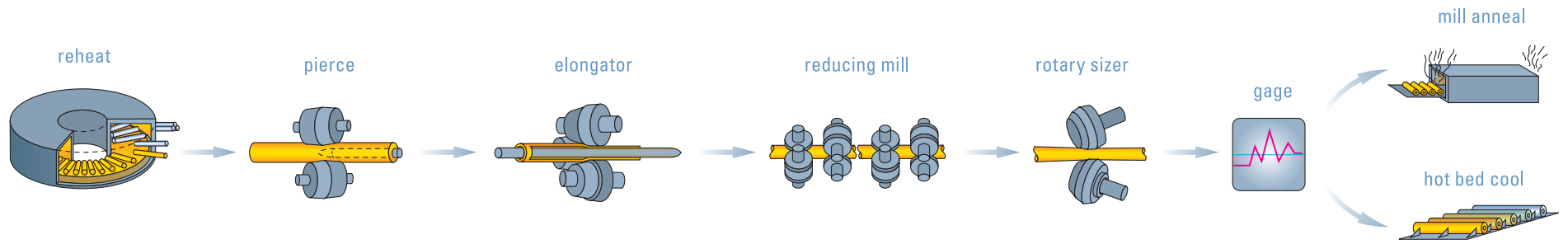
# TIMKEN

Where You Turn

steel manufacturing



steel piercing



tube finishing

